

NO DISASSEMBLY TOOLS REQUIRED

DISASSEMBLY TIME: 5-10 minutes

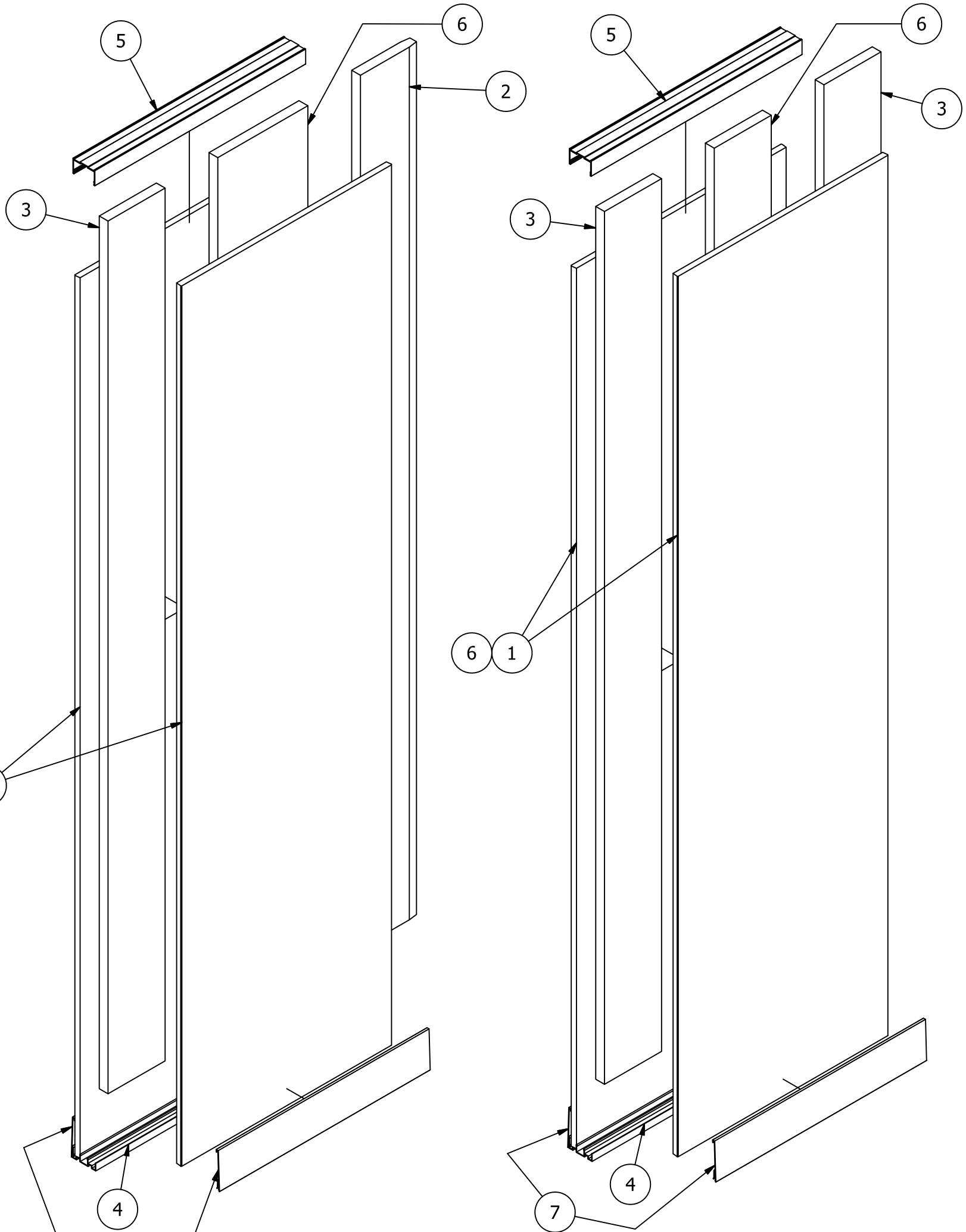
DISASSEMBLY INSTRUCTION

1. REMOVE BASE PLATES
2. SLIDE PANEL AWAY FROM ADJACENT PANEL
3. REMOVE PANEL BY LIFTING OVER BOTTOM TRACK

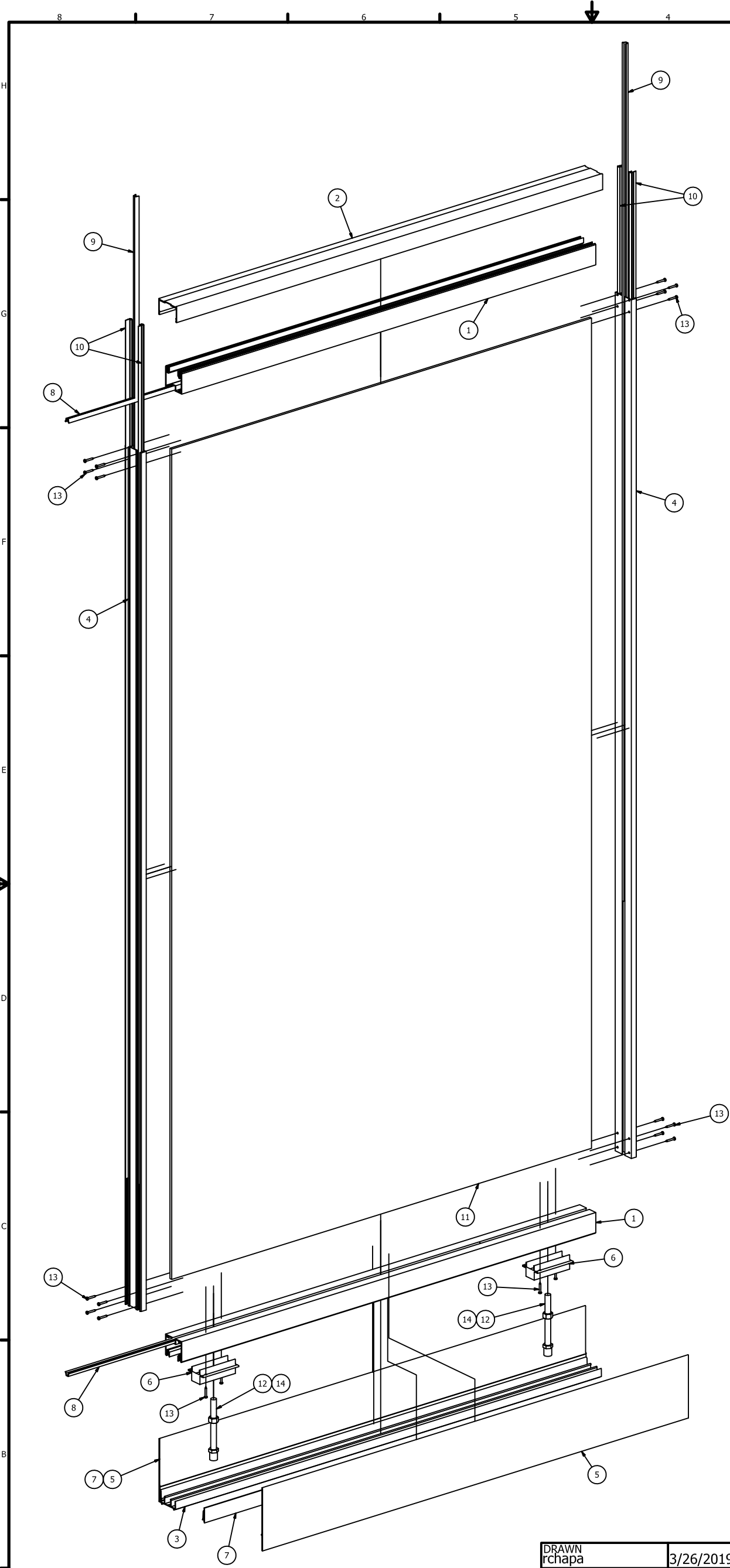
LAMINATED PANELS CANNOT BE DISASSEMBLED. REMOVE BATTING FROM CAVITY AND RECYCLE AT GYPSUM RECYCLING FACILITY AS COMPLETE UNIT

PARTS LIST

ITEM	DESCRIPTION	ITEM QTY	PULL/CUT QTY	STOCK NUMBER	RECYCLED CONTENT %	RECYCLABLE
1	GYPSUM FACE SHEET 5/8"	2	1		52	Yes
2	GYPSUM CORE BOARD 1"	1	1		51	Yes
3	GYPSUM CORE BOARD 1"	1	1		51	Yes
4	FLOOR RUNNER	1	24 in	22709	54	Yes
5	CEILING RUNNER	1	24 in	6094	54	Yes
6	THERMAFIBER SFAB	1	1	CUSTOM	70	No
7	4" VINYL BASE	2	24 in	125284	0	No
8	LAMINATE ADHESIVE	1	2 lbmass		0	No



DRAWN rchapa	5/29/2019	ENVIRONAMICS INC	
CHECKED		TITLE	
QA		V-WALL SYSTEM	
MFG		SIZE B	DWG NO PANEL, V-WALL, T&G, RECYCLE
APPROVED		SCALE 1 / 9	REV
		SHEET 1 OF 1	



PARTS LIST						
ITEM	DESCRIPTION	ITEM QTY	PULL/CUT QTY	STOCK NUMBER	RECYCLED CONTENT %	RECYCLABLE
1	GLAZED PANEL RAIL	2	46.672 in	30765	54	Yes
2	CEILING RUNNER	1	48 in	6094	54	Yes
3	NARROW FLOOR RUNNER	1	48 in	37259	54	Yes
4	GLAZED PANEL STILE	2	81.625 in	31425	54	Yes
5	ALUMINUM BASE TRIM 6"	2	48 in	ETF-16	54	Yes
6	CENTER SUPPORT SADDLE	2	4 in	TXT-3064	54	Yes
7	BASE CLIP	2	48 in	129355	0	No
8	GLAZING CHANNEL BEAD	2	46.672 in	VTR-1405	0	No
9	GLAZING CHANNEL BEAD	2	81.625 in	VTR-1405	0	No
10	VINYL LIGHT SEAL	4	81.609 in	VTR-1611	0	No
11	1/4" CLEAR TEMPERED GLASS	1	1	CUSTOM		
12	1/2" SPACER BOLT, 3-3/4" LG	2	1	925471	25	Yes
13	#6 X 1" CAD PFH	20	1	61		
14	Hex Nut, 1/2-13	2	1	1213		

DISASSEMBLY TOOLS REQUIRED

1. $\frac{3}{4}$ " OPEN END WRENCH OR ADJUSTABLE WRENCH
2. PHILIP HEAD SCREWDRIVER OR SCREW GUN

DISASSEMBLY TIME: 10-20 minutes

DISASSEMBLY INSTRUCTION

1. REMOVE BASE PLATES
2. REMOVE PLASTIC MP CLIPS FROM BOTH SIDES OF PANEL
3. REMOVE PANEL BY LIFTING UP FROM BOTTOM
4. REMOVE PANEL FEET BY LOOSENING (4) #6 SCREWS
5. DISASSEMBLE THE FRAME BY REMOVING ALL (4) #6 SCREWS AT EACH CORNER
6. REMOVE LIGHT SEALS AND GLAZING CHANNELS FROM STILES
7. RECYCLE GLASS, ALUMINUM, AND STEEL COMPONENTS

DRAWN rchapa	3/26/2019	ENVIRONAMICS INC	
CHECKED			
QA		TITLE	
MFG		SYMBIO PANEL SYSTEM, CLEAR GLASS	
APPROVED		SIZE	DWG NO
		N/A	SYMSYS
		SCALE	REV
		9:40	
		SHEET 1 OF 1	

		PARTS LIST				
ITEM	DESCRIPTION	ITEM QTY	PULL/OUT QTY	STOCK NUMBER	RECYCLED CONTENT %	RECYCLABLE
1	GLAZED PANEL RAIL	2	46.672 in	30765	54	Yes
2	M-WALL PANEL YOKE	2	75.84375 in	33387		
3	CEILING RUNNER	1	48 in	6094	54	Yes
4	NARROW FLOOR RUNNER	1	48 in	37259	54	Yes
5	GLAZED PANEL STILE	2	81.625 in	31425	54	Yes
6	M-WALL PANEL YOKE	2	46.672 in	33387		
7	ALUMINUM BASE TRIM 6"	2	48 in	ETF-16	54	Yes
8	CENTER SUPPORT SADDLE	2	4 in	TXT-3064	54	Yes
9	BASE CLIP	2	48 in	129355	0	No
10	VINYL LIGHT SEAL	4	81.609 in	VTR-1611	0	No
11	HARD PANEL INSERT	2	1	CUSTOM		
12	ACOUSTIC BATTING	1	1	CUSTOM		
13	1/2" SPACER BOLT, 3-3/4" LG	1	1	925471	25	Yes
14	#6 X 1" CAD PFH	20	1	61		
15	Hex Nut, 1/2-13	2	1	1213		

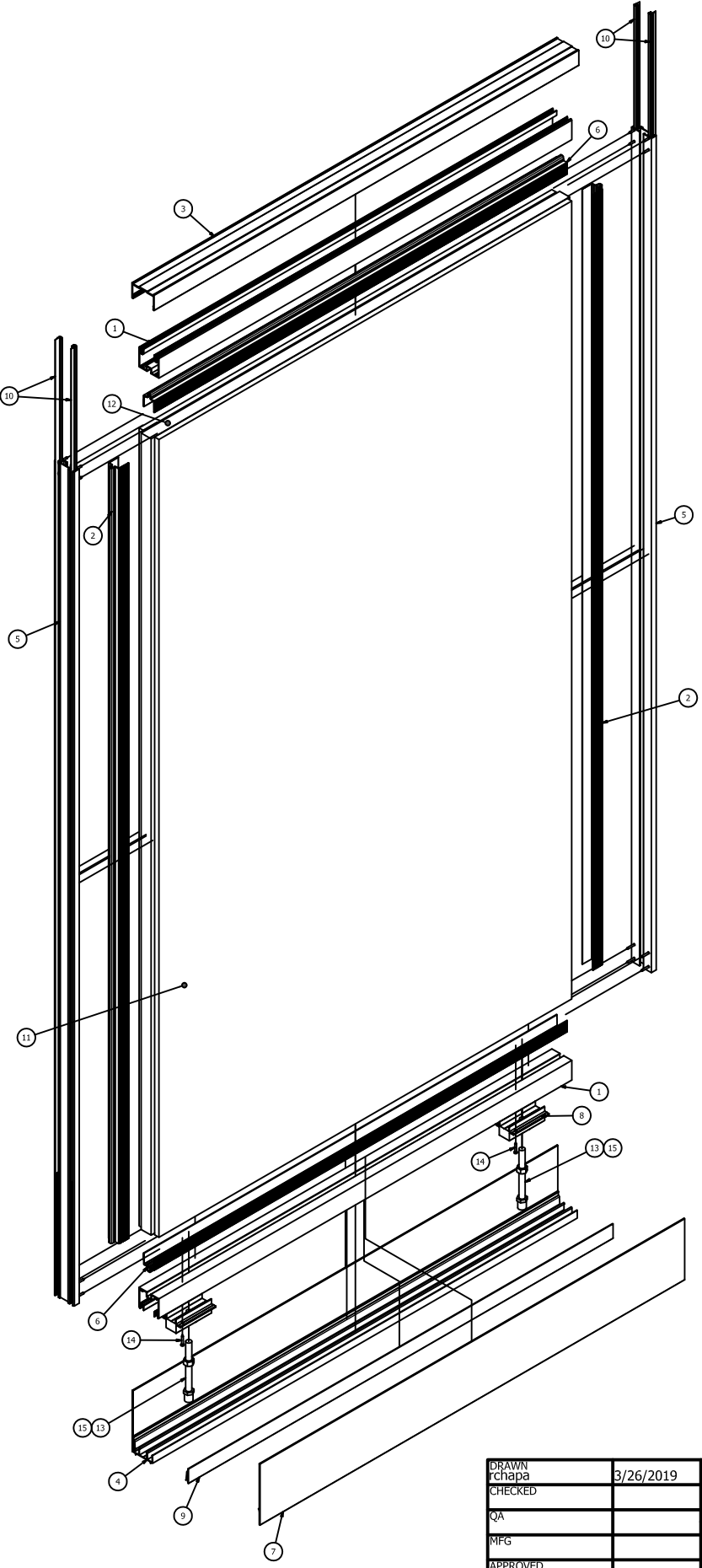
DISASSEMBLY TOOLS REQUIRED:

1. 3/8" OPEN END WRENCH OR ADJUSTABLE WRENCH
2. PHILIP HEAD SCREW DRIVER OR SCREW GUN

DISASSEMBLY TIME: 10-25 minutes

DISASSEMBLY INSTRUCTION

1. REMOVE BASE PLATES
2. REMOVE PLASTIC MP CLIPS FROM BOTH SIDES OF PANEL
3. REMOVE PANEL BY LIFTING UP FROM BOTTOM
4. REMOVE PANEL FEET BY LOOSENING (4) #6 SCREWS
5. DISASSEMBLE THE FRAME BY REMOVING ALL (4) #6 SCREWS AT EACH CORNER
6. REMOVE LIGHT SEALS AND PANEL YOKEs FROM STILES
7. RECYCLE ALUMINUM AND STEEL COMPONENTS



DRAWN	rchapa	3/26/2019	ENVIRONAMICS INC		
CHECKED			TITLE		
QA			SYMBIO PANEL SYSTEM, HARD INSERT		
MFG			SIZE	DWG NO	REV
APPROVED			N/A	PANEL, MDF, RECYCLE	
			SCALE	1/4	SHEET 1 OF 1